

Existing Cab Field Survey

Job Name:

1. Quantity of Cabs:

Please circle one:

1 2 3 4 5 6 7 8 9

3. Weight Capacity:

Please circle one:

2500 lbs 3000 lbs

3500 lbs 4000 lbs

4500 lbs 5000 lbs

_____ lbs

Contact Name:

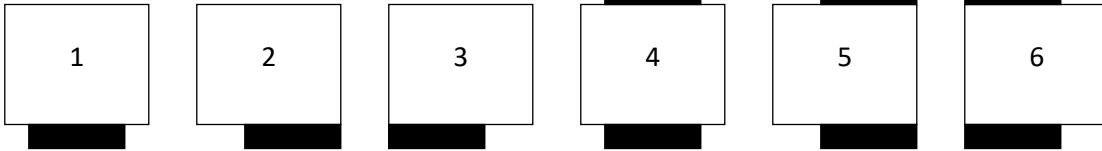
2. Cab Construction:

Please circle one:

Wood Metal Frame (Skeleton)

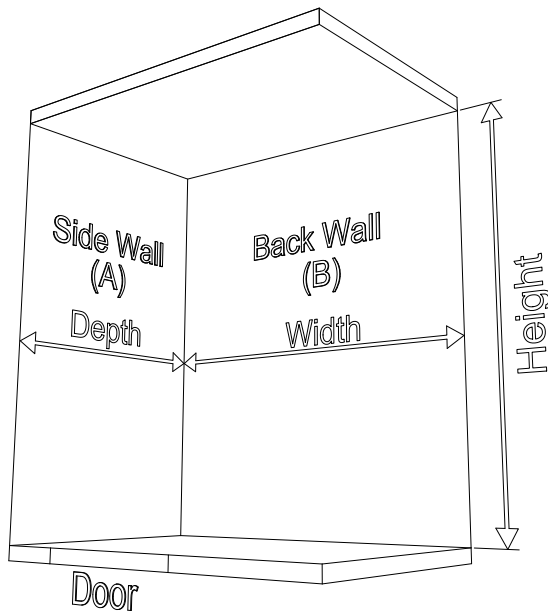
4. Cab Floor Plan:

Please circle one:



5. Cab Dimensions:

Please fill out section completely



Enter all dimensions in inches, not feet.

Cab Depth A _____"

Shell to Shell

Cab Height A _____"

Height is measured from floor to canopy (not ceiling).

Cab Width B _____"

Shell to Shell

Cab Height B _____"

Height is measured from floor to canopy (not ceiling).

If cab has a cove/obstruction, please measure wall height from floor to bottom of cove/obstruction.

Remember to measure from bottom of cove to canopy for your ceiling drop.

Please draw, diagram at left, the detail of cove present in the cab.